

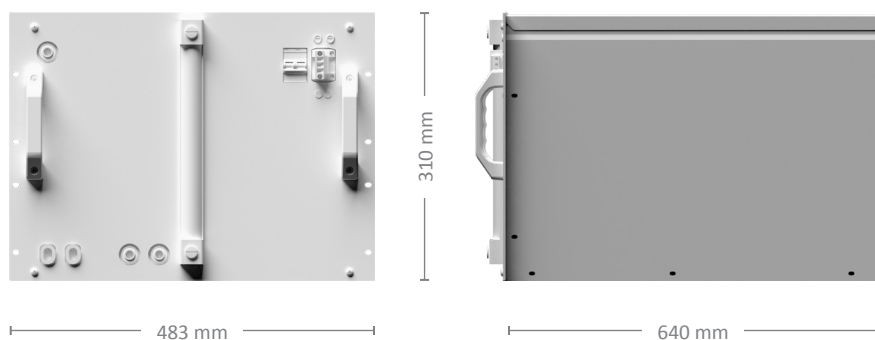
Water Tank Module WTM 2.0



Enapter's Water Tank Module provides storage for 35 litres of clean water for the electrolyser. The water tank is rack mountable into a standard 19" cabinet. The tank can be fed by our Water Purification System or any other suitable clean water supply. The tank contains a pump system to supply up to 30 electrolysers with clean water.

Specifications

Enapter
Water Tank Module WTM 2.0



Capacity	35 L
Dimensions	W × D × H in mm = 483 × 640 × 310
Weight	25 kg (Empty)
Space requirement in cabinet	7U
Max outlet water flow rate	3.8 L/min
Water input conductivity	< 20 µS/cm (at 25°C)
Operative power consumption	50 W
Max power consumption	70 W
Standard power supply	AC 100-240 V, 50/60 Hz
Ambient temperature	5 - 45°C
Ambient humidity	20 - 95%, non-condensing
Maintenance	If in use, the water tank is maintenance-free. After any period without use exceeding 1-2 months, the tank must be washed before continuing usage.
Recommended number of AEM electrolyzers to be supplied	Up to 30